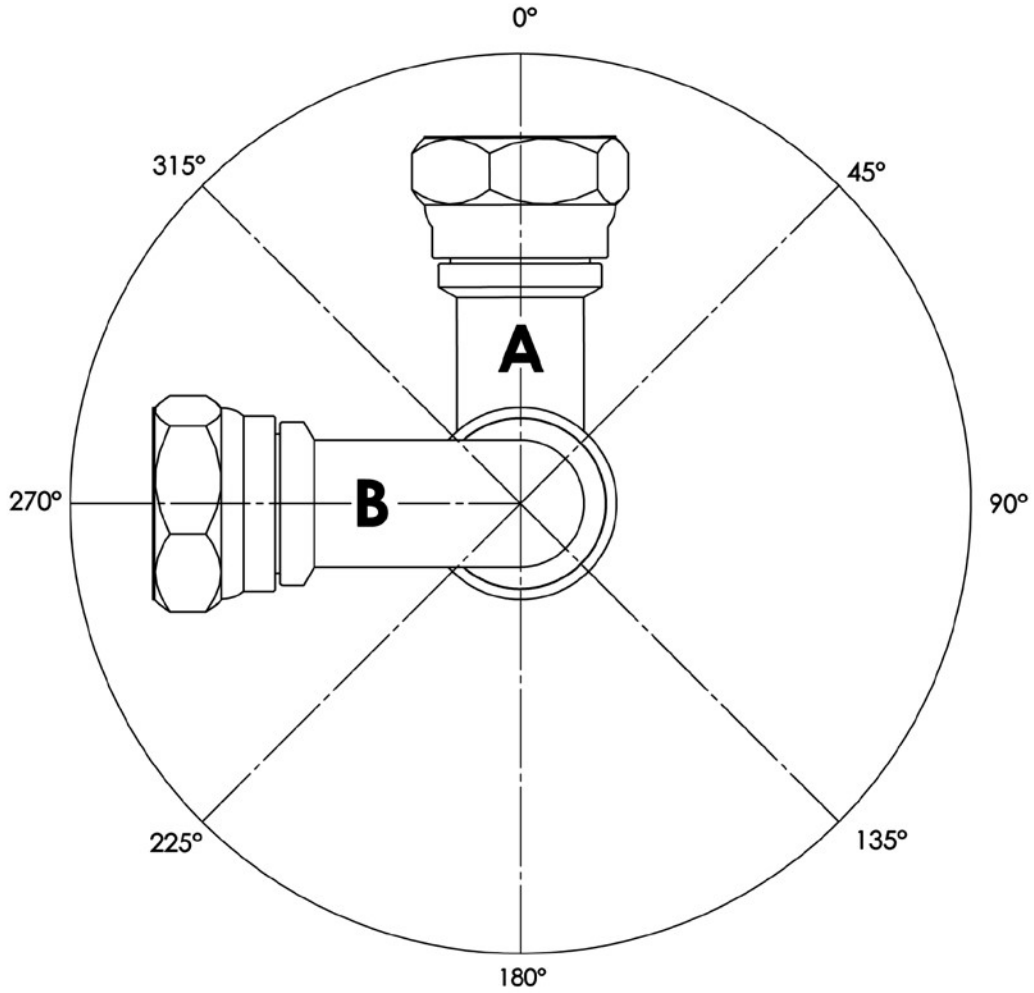


HOW TO MEASURE FITTING ORIENTATION



Orientation is determined by the number of degrees measured in a clockwise direction between the farthest fitting and the nearest fitting.